

Daytona 36 Car Display Ramp



14ft Long by 20in Wide Platforms with Built-In Load Ramp Storage Trays
Platform 1 Height: 24in - Platform 2 Height: 34in - Creates 7° Horizontal Tilt Display Angle
14ft Long by 15in Wide Load Ramps w/ Lock-In Place Pins and Ramp Support Stands

8° Display Angle
Horizontal Tilt

Extra Wide
20" Platforms

1' 8"

2" Side Rails

Tire Stop

Fully Adjustable
Connector Pipes

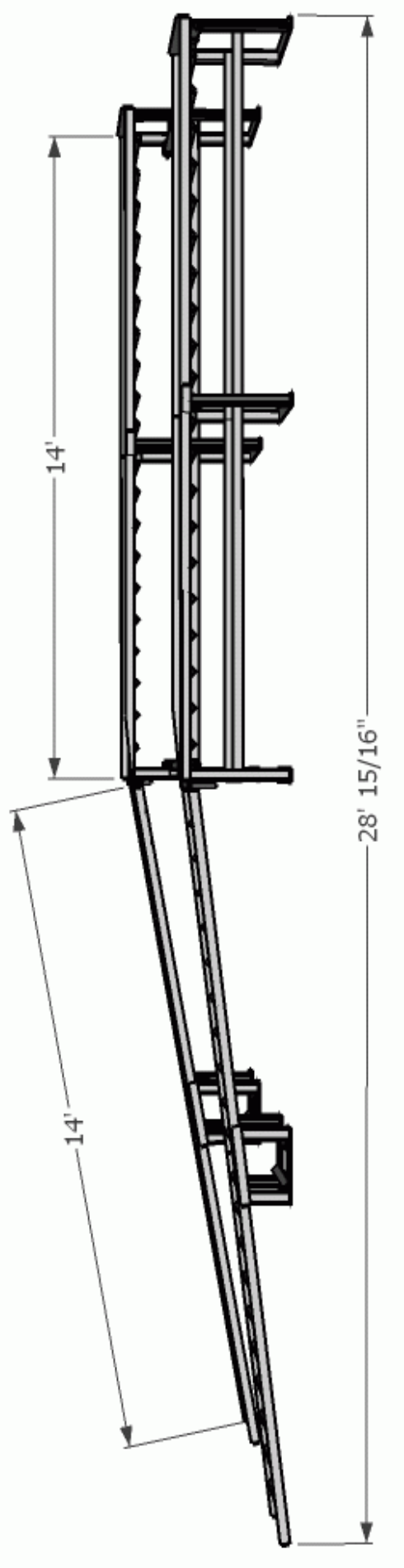
2' 10"

Load Ramp
Storage Trays

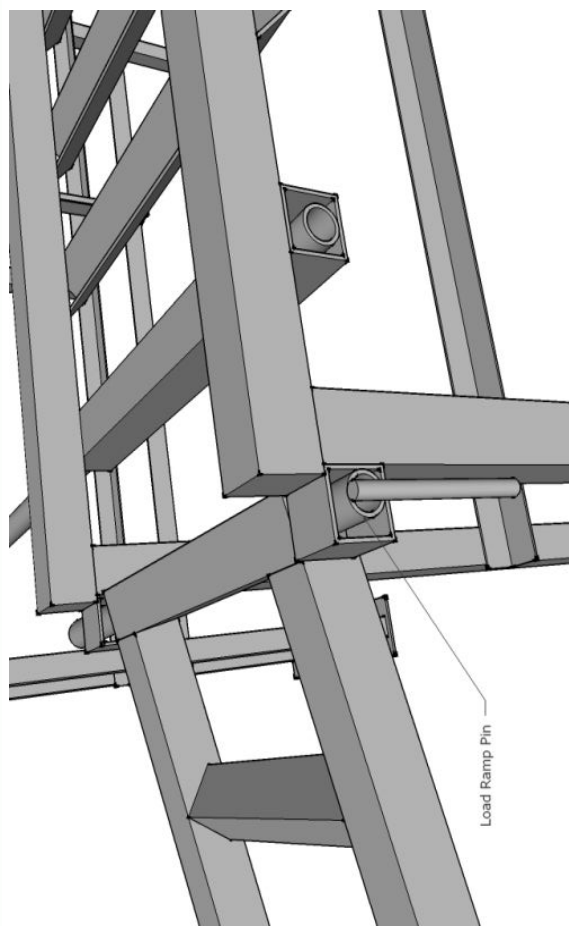
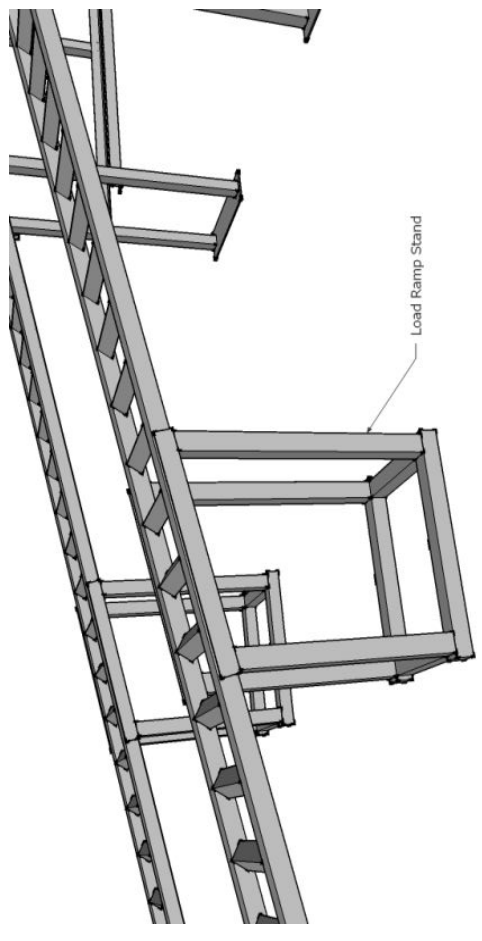
3" Wide
Foot Pads

2'





Load Ramp Stand - Free standing support for the load ramps to protect ramp against long term "bowage" damage and also insure the vehicle is safely loaded/unloaded onto/off of platform.



Load Ramp Pin - Lock the load ramp to the vehicle platform in a way that prevents the ramp from being able to come free from the platform while vehicle is driven on or off platform.

